

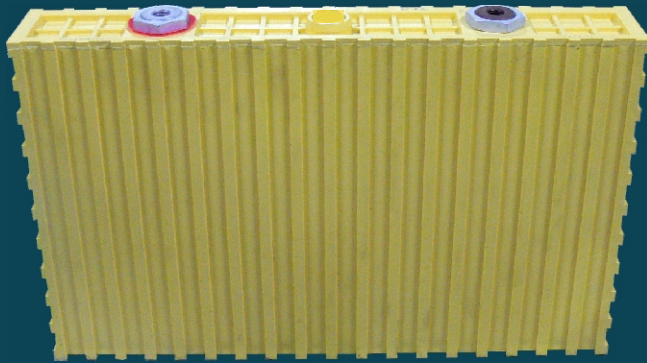


# Winston Battery

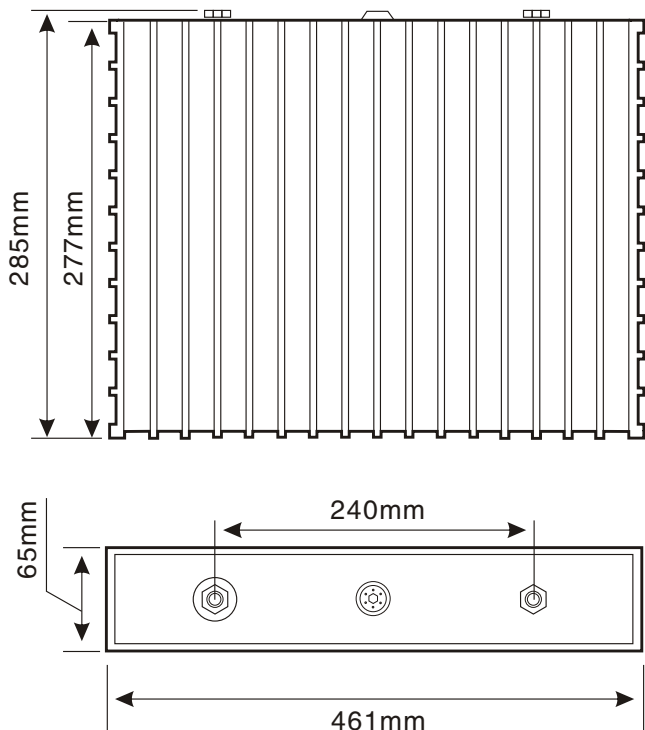
Address: Winston Industrial Park, Third Industrial Zone, Lisonglang Village, Gongming Town, Shenzhen, Guangdong, P.R.C  
 Tel: +86-755-8602 6789 Fax: +86-755-8602 6678  
 Http: //www.winston-battery.com E-mail: winston@wb.com

## 溫斯頓牌稀土鋰鈮動力電池性能說明 SPECIFICATION FOR WINSTON RARE EARTH LITHIUM YTTRIUM POWER BATTERY

### 單體電池尺寸 DIMENSIONS



型号(MODEL): WB-LYP400AHA



### 技術參數 SPECIFICATIONS

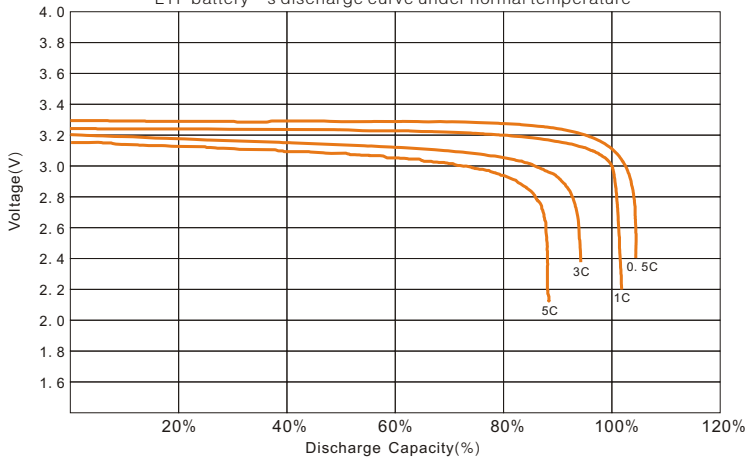
#### 型號(MODEL): WB-LYP400AHA

標稱容量 Nominal Capacity	400Ah	
工作電壓 Operation Voltage	充電 (Charge)	4.0V
	放電 (Discharge)	2.8V
最大充電電流 Max Charge Current	≤3CA	
最大放電電流 Max Discharge Current	恒電流 (Constant Current)	≤3CA
	脈衝式 (Impulse Current)	≤20CA
標準充放電電流 Standard Charge/Discharge Current	0.5CA	
循環壽命 Cycle Life	(80DOD%)	≥3000Times
	(70DOD%)	≥5000Times
殼體耐溫性 Temperature Durability Of Case	≤200°C	
適應環境 Operating Temperature	充電 (Charge)	-45°C~85°C
	放電 (Discharge)	-45°C~85°C
自放電率(月) Self-discharge Rate	≤3% (Monthly)	
單體電池重量 Weight	13.5kg ± 200g	

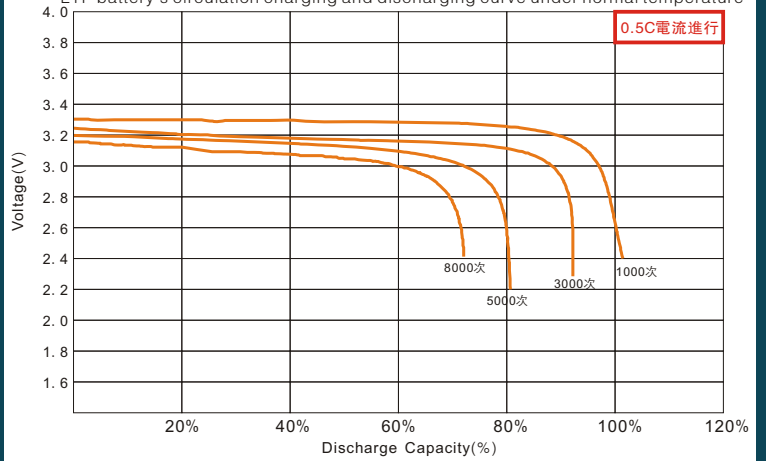
# WB-LYP400AHA型電池的充放電特性

## WB-LYP400AHA CHARGE & DISCHARGE CHART

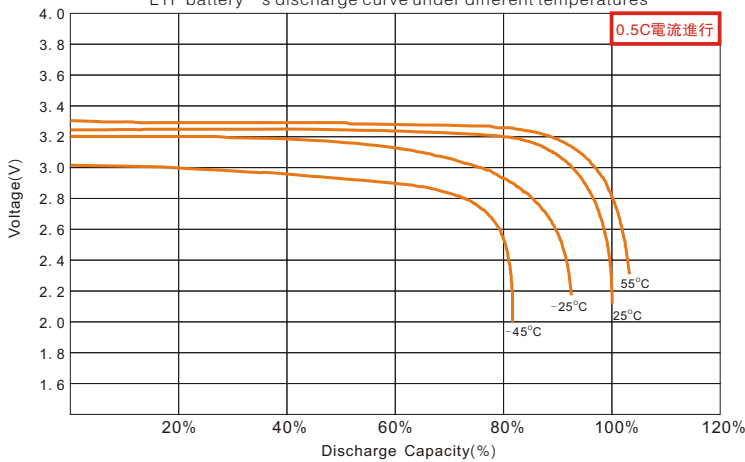
常溫下LYP類電池的放電特性曲線  
LYP battery's discharge curve under normal temperature



常溫下LYP類電池的循環充放電特性曲線  
LYP battery's circulation charging and discharging curve under normal temperature



不同環境溫度下LYP類電池的放電特性曲線  
LYP battery's discharge curve under different temperatures



在常溫境溫下LYP類電池的存儲特性曲線  
LYP battery's storage characteristic curve in normal temperature

